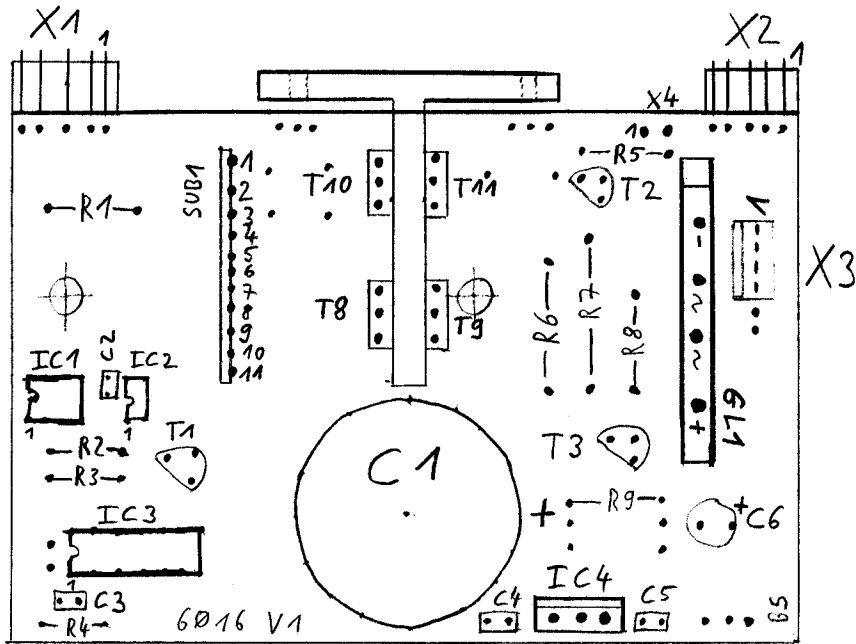
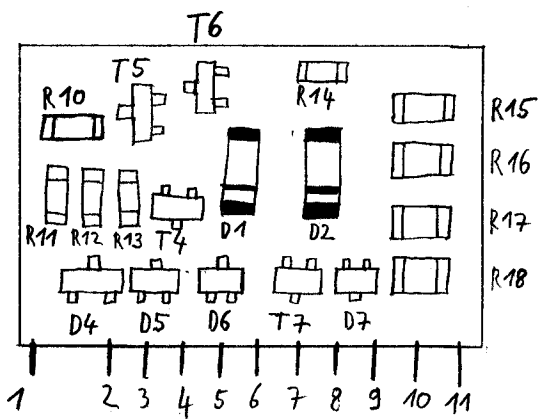


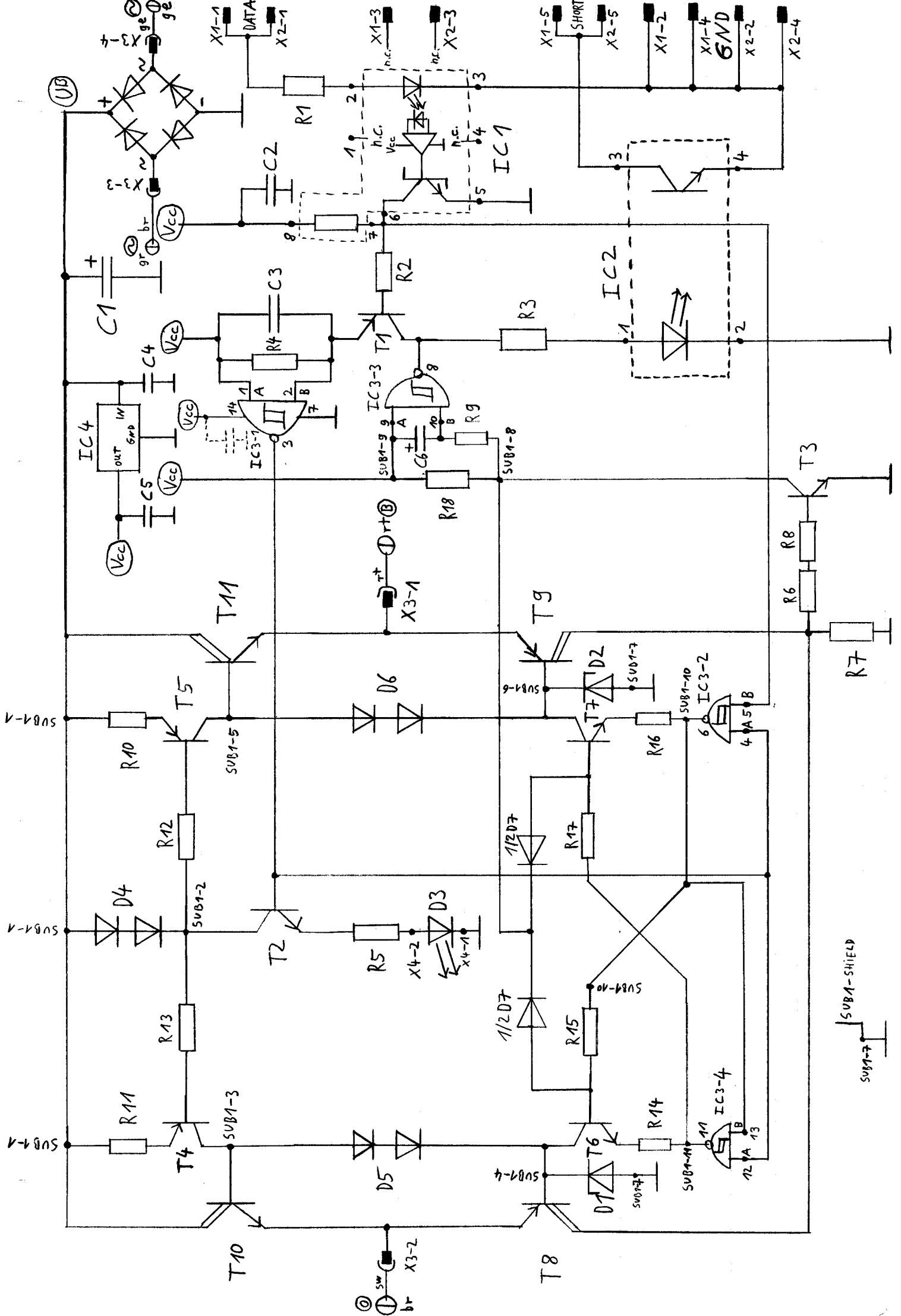
6016

D9088578



SUB 1





# 6016

# BOM

2004-01-18

IC1	: HCPL2300	DIL8	DC: 8908	"HP"
IC2	: SFH 610-2	DIL4	DC: 925N	"S"
IC3	: PC 74 HC132 P	DIL14	DC: HSS 8923PA Y	"PH"
IC4	: L7805C-V	T0-220	DC: 98938	"ST"
T1	: BC 557B	T0-92	DC: PH96	"PH"
T2, T3	: BC 547B	T0-92	DC: PH46	"PH"
T4, T5	: BC 857B	"3F" SOT-232		
T6, T7	: BC 847B	"1F" SOT-232		
T8, T9	: BDT62 BF	T0-220 iso	DC: PHm932	
T10, T11	: BDT63 BF	T0-220 iso	DC: PHm925	
D1, D2	: glass, yellow mark	MINIMELF	DIODE, Zehner	
D3	: LED 5Ø rot			
D4, D5, D6	: BAV99	"A7"	DIODE, DUO	
D7	: BAV70	"A4"	DIODE, DUO	
R1	: 5,6 KΩ	5%	1/3W RKS	
R2	: 1 MΩ	5%	1/3W RKS	
R3	: 2,2 KΩ	5%	1/3W RKS	
R4	: 100 KΩ	5%	1/3W RKS	
R5	: 470 Ω	5%	1/3W RKS	
R6	: 47 Ω	5%	1/3W RKS	
R7	: 0,18 Ω	10%	1W RKS	
R8	: 100 Ω	5%	1/3W RKS	
R9	: 560 KΩ	5%	1/3W RKS	
R10, R11	: 100 Ω	"1000"	CHIP, Dicksschicht, Thick Film	
R12, R13	: 22 KΩ	"223"	CHIP, Dicksschicht, Thick Film	
R14, R16	: 47 Ω	"470"	CHIP, Dicksschicht, Thick Film	
R15, R17, R18	: 10 KΩ	"103"	CHIP, Dicksschicht, Thick Film	
C1	: 4700 µF/35V	Cap. electrolytic	DC: 8920	
C2, C3, C4, C5	: 100 nF	Cap. Ceramic	"104" "K5M"	
C6	: 2,2 µF/163V	Cap. electrolytic	DC: U8	
GL1	: B80 C5000/3300	"ISKRA"	Bridge rectifier	
X1, X2	: Panduit 5 way		Connector, male	
X3	: Panduit 4 way		Connector, male	
X4	: ribbon cable with Panduit 2 way		Connector, female	

