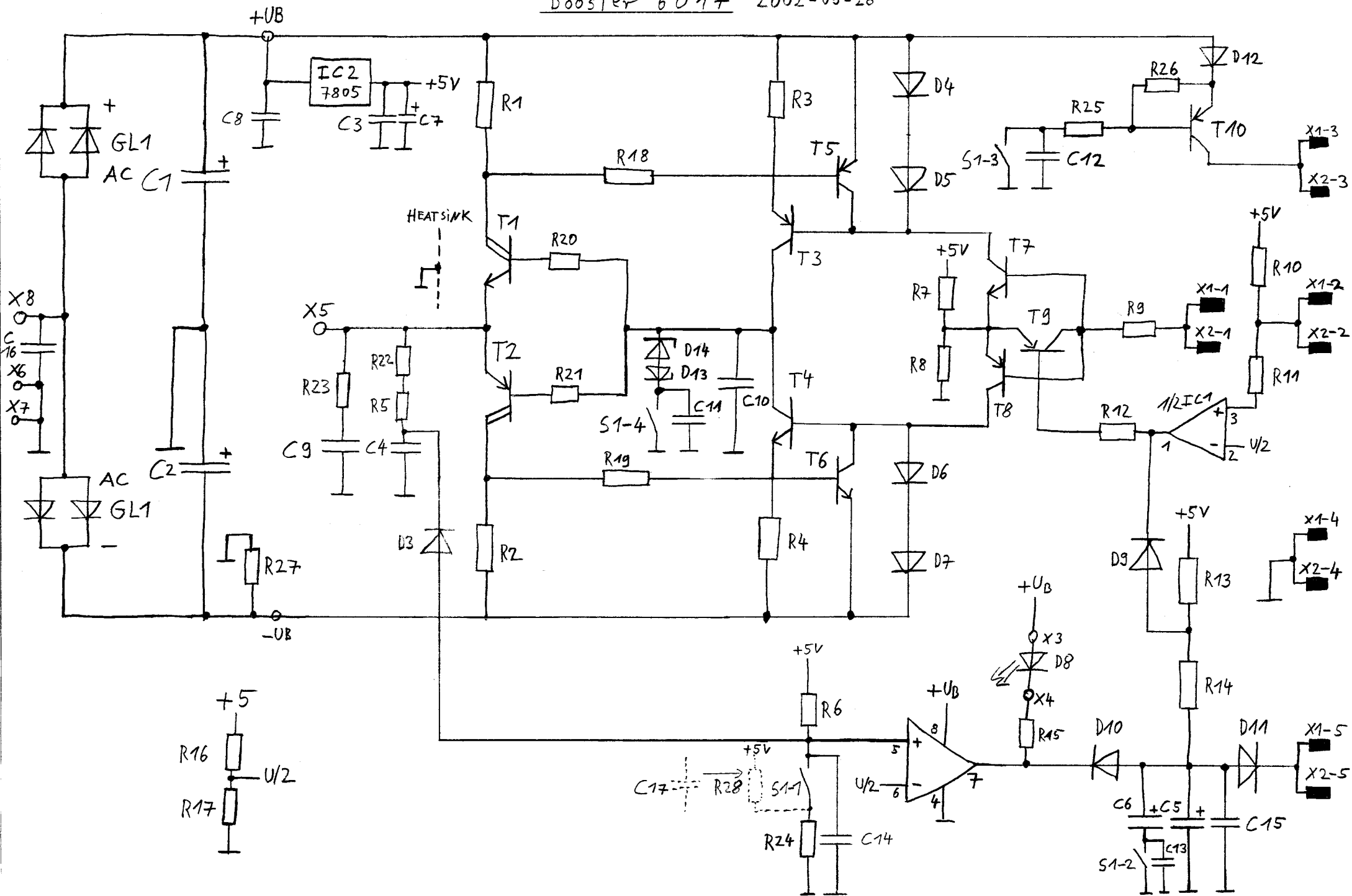


Booster 6017 2002-05-28



Designation	Value nom	Value real	Description	Size	Part marking	Manufacturer
R1,R2	0,18 Ohm 5%		Resistor wirewound 3 W	5.1 x 12.5 mm		
R3,R4	100 Ohm		Resistor thickfilm	1206	101	
R5	27 kOhm		Resistor thickfilm	1206	273	
R6	18 kOhm		Resistor thickfilm	1206	183	
R7,R8,R26	1 kOhm		Resistor thickfilm	1206	102	
R9,R11,R16,R17	10 kOhm		Resistor thickfilm	1206	1002	
R10,R12	47 kOhm		Resistor thickfilm	1206	473	
R13	2,7 kOhm		Resistor thickfilm	1206	2701	
R14	3,3 kOhm		Resistor thickfilm	1206	332	
R15	5,6 kOhm		Resistor thickfilm	1206	562	
R18,R19,R20,R21	220 Ohm		Resistor thickfilm	1206	221	
R22	100 kOhm		Resistor thickfilm	1206	104	
R23	2,2 Ohm 5%		Resistor carbon 0,3 W	2,2 x 6,3 mm		
R24	270 kOhm		Resistor thickfilm	1206	274	
R25,R27	4,7 kOhm		Resistor thickfilm	1206	472	
R28 or C17	not inserted					
C1,C2	4700 uF 35 V		Capacitor electrolytics	25,4 x 25 mm	(M)KMH 105 C	Nippon Chemi-Con
C3	220 nF	217,6 nF	Capacitor ceramic X7R	1206	brown	
C4	3,3 nF	3,199 nF	Capacitor ceramic X7R	0805	brown	
C5,C6,C7	47 uF 10 V		Capacitor tantalum	C(30)	476A M4610	Epcos
C8	220 nF	215,4 nF	Capacitor ceramic X7R	1206	brown	
C9	220 nF	212,6 nF	Capacitor ceramic X7R	1206	brown	
C10	680 pF	669,3 pF	Capacitor ceramic	0805	light blue	
C11	470 pF	451,3 pF	Capacitor ceramic	1206	black	
C12	470 pF	470,0 pF	Capacitor ceramic	1206	black	
C13	4,7 nF	5,128 nF	Capacitor ceramic	1206	black	
C14	4,7 nF	5,533 nF	Capacitor ceramic	1206	black	
C15	4,7 nF	5,323 nF	Capacitor ceramic	1206	black	
C16	4,7 nF 250 Vac		Capacitor Ceramic X1 Y2	dia 12,0 mm	KH472M X1Y2	
C17	see above					
T1	BDW 93C		Transistor NPN Darlington	TO-220	BDW 93C	STMicroelectronics
T2	BDW 94C		Transistor PNP Darlington	TO-220	BDW 94C	STMicroelectronics
T3,T10	BC 807-40		Transistor PNP	SOT-23	5Cs	Siemens/Infineon
T4	BC 817-40		Transistor NPN	SOT-23	6Ck	
T5,T8,T9	BC 856B		Transistor PNP	SOT-23	3Bs	Siemens/Infineon
T6,T7	BC 846B		Transistor NPN	SOT-23	1Bp	Philips
GL1	RS 404L		Bridge Rectifier 400 V 4 A	19 x 6,3 mm	AP VE RS404L	Rectron
D3...D7,D9...D11	1N4148		Diode glass	Mini-MELF	black band	
D8	LED red		LED	dia 3 mm		
D12	BYM 10-400		Diode plastic	MELF	white, yellow	General Semicond.
D13	BZV 55-C18		Z-Diode glass 0,5 W 18 V	Mini-MELF	blue band	General Semicond.
D14	ZMD 16		Z-Diode plastic 1 W 16 V	Mini-MELF	blue band	Diotec
IC1	LM 393		Comparator dual	SO-8	LM 393	Texas instruments
IC2	MC 7805C		Voltage regulator 5 V	TO-220	MC 7805C	Fairchild semicond.
S1	DIL Switch quad		DIL Switch		red	Pacer
X1,X2	Pancon 5 way		Pancon	pitch: 100 mil		Panduit
X3	Pancon female		Pancon 2 way (X3,X4)	pitch: 100 mil	red wire	Panduit
X4	Pancon female		Pancon 2 way (X3,X4)	pitch: 100 mil	brown wire	Panduit
X5	Red wire to B		Wire PVC insulated	24 AWG		ABB
X6	Brown wire to O		Wire PVC insulated	24 AWG		ABB
X7	Brown wire to O		Wire PVC insulated	24 AWG		ABB
X8	Yellow wire to L		Wire PVC insulated	24 AWG		ABB
X9	no connection					

X2

X1

